

Vario-Starpoint VRS-F M30X2

Artikel-Nr: 7991856

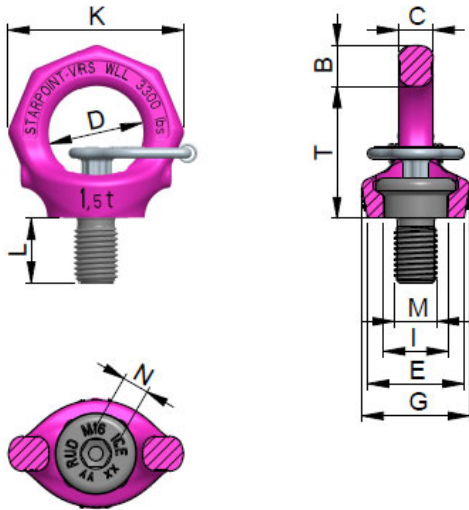


- Lifting points pivots 360°. Easy adjustment in load direction.
- Not exchangeable RUD-Bolt (this reduces the usage of improper standard bolts).
- Clear marking of the minimum WLL for all loading directions. Higher WLL possible when location and installation is optimised (compare WLL chart / product information).
- Clear marking at the bolt head: RUD, thread size, batch-no.
- Variable bolt lengths available for tapped or through holes.
- Available as: - Standard Metric Thread (DIN EN 13) - Metric Fine Thread (DIN EN 13) - Coarse Pitch Thread UNC (ANSI B1.1) - Fine Thread 8UN (ANSI B1.1) - Inch Pipe Thread (DIN 228)
- Significant product characteristics of the VRS are subject to property right claims.
- Component according to the test criterias of BG/DGUV "GS-OA-15-04".
- Complying with the US-Standard (ASME B30.26).
- Quick and easy installation with just one bolt connection.
- Installation and disassembly without any further tools than the exchangeable Easy-Fit star profile key for singular lifts (Version VRS-F).
- For permanent installation and recurrent lifts we can offer a special socket wrench to apply the requested torque (fits to a common Inch torque wrench).

Other important RUD specific information and specialities to our RUD lifting points can be found in the specific user instruction.

Vario-Starpoint VRS-F M30X2

Artikel-Nr: 7991856



weight	1.70 kg	3.75 lbs
Nominal WLL	4500 kg	9920 lbs
T	87 mm	3-7/16"
B	26 mm	1"
C	24 mm	15/16"
D	60 mm	2-3/8"
E	66 mm	2-5/8"
G	75 mm	2-15/16"
I	44 mm	1-3/4"
K	114 mm	4-1/2"
L	45 mm	1-25/32"
M	M30X2 mm	M30X2
N	17 mm	43/64"