

STARPOINT eye nut VRM-M10

Artikel-Nr: 7990311

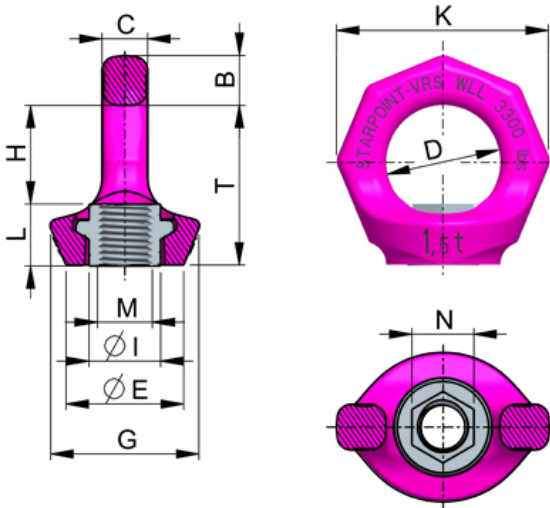


- Lifting points pivots 360° for an easy adjustment in load direction.
- Clear marking of the minimum WLL for all loading directions.
- The WLL statement corresponds to the minimum WLL in all loading directions. Higher WLL possible when location and installation is optimised (compare WLL chart).
- Available as: - Standard Metric Thread M6-M30 (DIN EN 13)
- Special coating on request.
- Component according to the test criterias of BG/DGUV "GS-OA-15-04".
- Quick and easy installation with just one bolt connection.
- Hand tightening with appropriate wrench is sufficient for a singular lift.

Other important RUD specific information and specialities to our RUD lifting points can be found in the specific user instruction.

STARPOINT eye nut VRM-M10

Artikel-Nr: 7990311



weight	0.11 kg	0.24 lbs
Nominal WLL	400 kg	880 lbs
T	35 mm	1-3/8"
B	11 mm	7/16"
C	9 mm	11/32"
D	25 mm	63/64"
E	25 mm	63/64"
G	30 mm	1-3/16"
H	21 mm	13/16"
I	16 mm	5/8"
K	47 mm	1-7/8"
L	14 mm	9/16"
M	M10 mm	M10
N	12 mm	15/32"