

STARPOINT eye nut VRM-M24

Artikel-Nr: 7990316

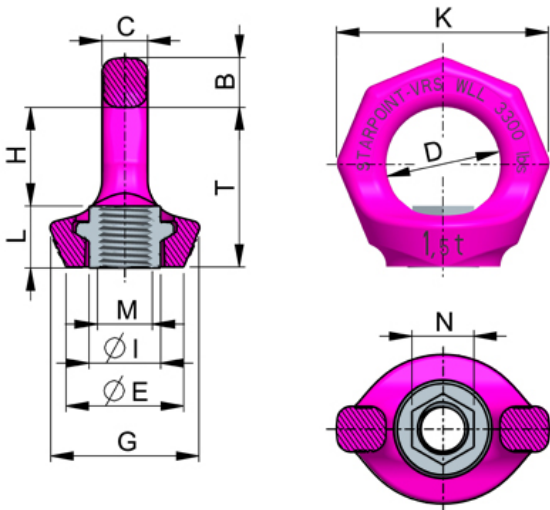


- Lifting points pivots 360° for an easy adjustment in load direction.
- Clear marking of the minimum WLL for all loading directions.
- The WLL statement corresponds to the minimum WLL in all loading directions. Higher WLL possible when location and installation is optimised (compare WLL chart).
- Available as: - Standard Metric Thread M6-M30 (DIN EN 13)
- Special coating on request.
- Component according to the test criterias of BG/DGUV "GS-OA-15-04".
- Quick and easy installation with just one bolt connection.
- Hand tightening with appropriate wrench is sufficient for a singular lift.

Other important RUD specific information and specialities to our RUD lifting points can be found in the specific user instruction.

STARPOINT eye nut VRM-M24

Artikel-Nr: 7990316



weight	0.83 kg	1.83 lbs
Nominal WLL	3200 kg	7050 lbs
T	70 mm	2-3/4"
B	20 mm	3/4"
C	19 mm	3/4"
D	49 mm	1-15/16"
E	51 mm	2"
G	60 mm	2-3/8"
H	41 mm	1-5/8"
I	35 mm	1-3/8"
K	92 mm	3-5/8"
L	29 mm	1-5/32"
M	M24 mm	M24
N	30 mm	1-3/16"