

Swivel Adapter for Hoists HWA 10 - DK 2500

Artikel-Nr: 7985574



For Demag-DK-hoisting devices:

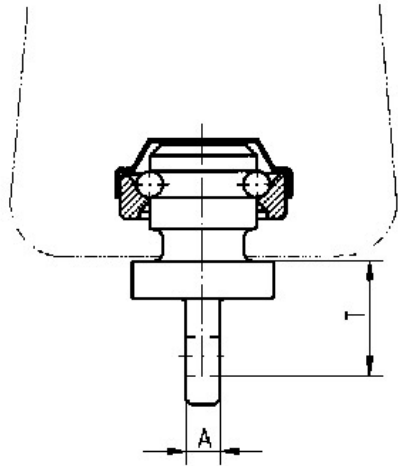
Appropriate for ;

- Type series DK 10 over 1250 kg up to 2500 kg (Double leg)
- Type series DK 16 up to 1600 kg (Single leg)
- Type series DK 20 up to 2500 kg (Single leg)
- Type series DC 20 over 1000 kg up to 2000 kg (double leg, for the DC 20 2/1 with a WLL of 2000 kg the DK - lower block with a stopping spring must be used since the HWA doesn't fit in the standard DC lower block).

Complete with the original Demag ball bearing. Made of high tensile, quenched and tempered special steel. Tested acc. to EN 1677-1 and BGR 500/DGUV Regel 100-500. Appropriate for all 10mm - VIP components with a clevis connection.

Swivel Adapter for Hoists HWA 10 - DK 2500

Artikel-Nr: 7985574



weight	0.80 kg	1.76 lbs
Nominal WLL	2500 kg	5500 lbs
T	36 mm	1-13/32"
A	10 mm	3/8"