

## Swivel Adapter for Hoists HWA 8 - PK 1000

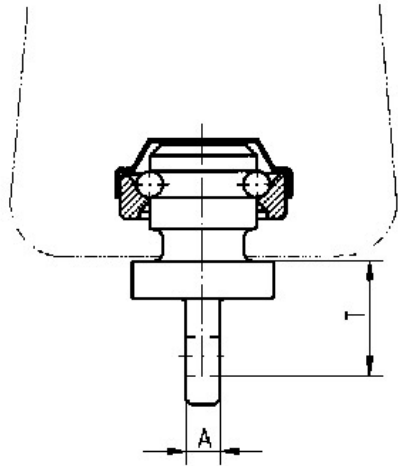
Artikel-Nr: 51294



For Demag-PK 1000-hoisting devices. Complete with the original Demag ball bearing. Made of high tensile, quenched and tempered special steel. Tested acc. to EN 1677-1 and BGR 500/DGUV Regel 100-500. Appropriate for single leg snatch blocks and double leg lower blocks. Appropriate for all 8mm - VIP components with a clevis connection.

## Swivel Adapter for Hoists HWA 8 - PK 1000

Artikel-Nr: 51294



<b>weight</b>	0.35 kg	0.77 lbs
<b>Nominal WLL</b>	1000 kg	2200 lbs
<b>T</b>	26 mm	1"
<b>A</b>	8 mm	5/16"