

## Swivel Adapter for Hoists HWA 10 - PK 2000

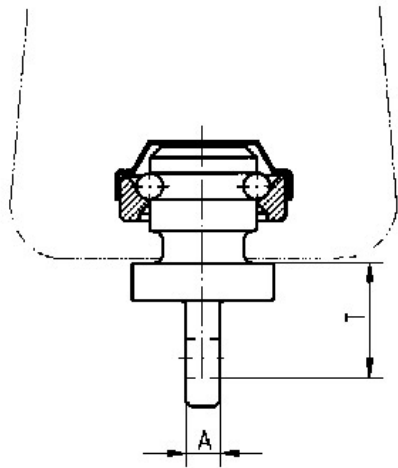
Artikel-Nr: 51295



For Demag-PK 2000-hoisting devices. Complete with the original Demag ball bearing. Made of high tensile, quenched and tempered special steel. Tested acc. to EN 1677-1 and BGR 500/DGUV Regel 100-500. Appropriate for single leg snatch blocks and double leg lower blocks. Appropriate for all 10mm - VIP components with a clevis connection.

## Swivel Adapter for Hoists HWA 10 - PK 2000

Artikel-Nr: 51295



|                    |         |          |
|--------------------|---------|----------|
| <b>weight</b>      | 0.45 kg | 1.0 lbs  |
| <b>Nominal WLL</b> | 2000 kg | 4400 lbs |
| <b>T</b>           | 36 mm   | 1-13/32" |
| <b>A</b>           | 10 mm   | 3/8"     |